

Military operations area

Military BASES



# KSD-8000

## Products features

- No Gear
- No Belt
- No Backlash
- No Noise
- Ultra-precise preset position control 0.005°
- Strong durability IP66, IK10
- Built-in 4 fixed cameras to realize 360-degree surround video
- 360-degree stereoscopic motion detection PTZ automatic tracking
- Patent registration: 10-2215806

ONVIF

1080  
FULL HD

360°  
view

Port facilities

# KSD-8000

ASP Direct Drive PTZ IR Speed Dome Camera



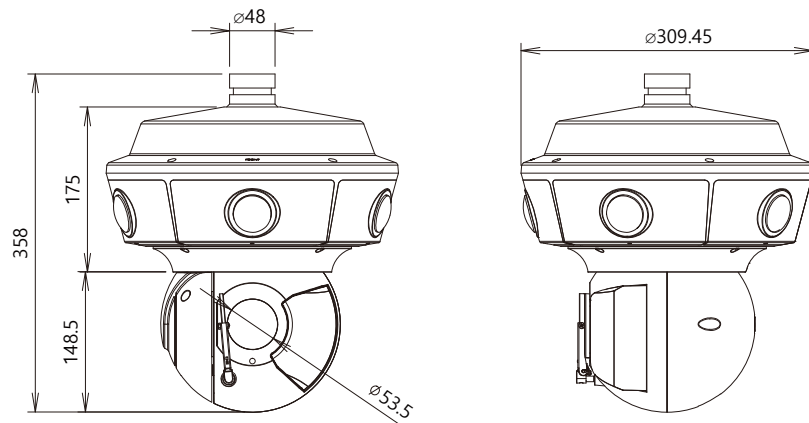
## Specification

CAMERA	Fixed	4 x 2-megapixel 1/2.8-inch Sony Starvis low-light CMOS sensors Multi Display mode ( 180 degree split in 2 / 90 degree split in 4 / 360 degree panorama ) PTZ camera interlocking ( motion / sound / trap ) IR LED night 0.0 lux monitoring
	Rotation	3 megapixel 1/1.8 inch low light camera X36x optical zoom, 32x digital zoom 2040 QHD video support Smart IR LED Interlocking Night 300M Range Monitoring privacy protection Visibility correction function ( defog / WDR / DIS )
MOTION		Direct Drive BLDC Motor Low noise (no noise during operation) Ultra-precise positioning accuracy 0.005 degrees or less Instantaneous automatic recovery in case of step out due to impact Stable, high-speed rotational motion 360 degrees endless pan speed 300 degrees/sec tilt 90 degrees/sec 255 pres., 8 group Auto parking, Smart OSD, Auto Tracking
NETWORK & VIDEO STREAMING	Video compression	H.265, H.264, Motion JPEG
	Resolution	30FPS [2688x1520, 1920x1080, 1280x1024, 1080x720, 704x480, 640x480, 320x240
	Frame rate	Primary 30fps @ 2048x2048, 2688x1520 / 60fps @ 1920x1080
	Video Streaming	Motion JPEG and H.264 Triple Streaming (Simultaneously)
	Voice	G.711-ulaw, Sampling rates 8KHz, 16bit, Mono Audio, 1ch in & 1ch out
	LAN interface	10/100Base T Ethernet auto sensing IEEE 802.11a/b/g/n Built-in wireless(optional)by SD Port
	Security features	Multi user level protection for camera access, PTZ, Alarm I/O
	Supported protocols	Support profiles HTTP, RTP/RTSP(Uni/Multicast), TCP/IP(v4/v6), UDP, FTP, Telnet, HTTPS, RARP, PPPoE, SNMP, PAP, CHAP, DHCP, NTP, SMTP, client, uPnP & etc

※ These specifications are standard and subject to change when designed.

## Exterior view

UNIT(mm)



# KSD-8000

ASP Direct Drive PTZ IR Speed Dome Camera



- DIRECT DRIVE BLDC MOTOR

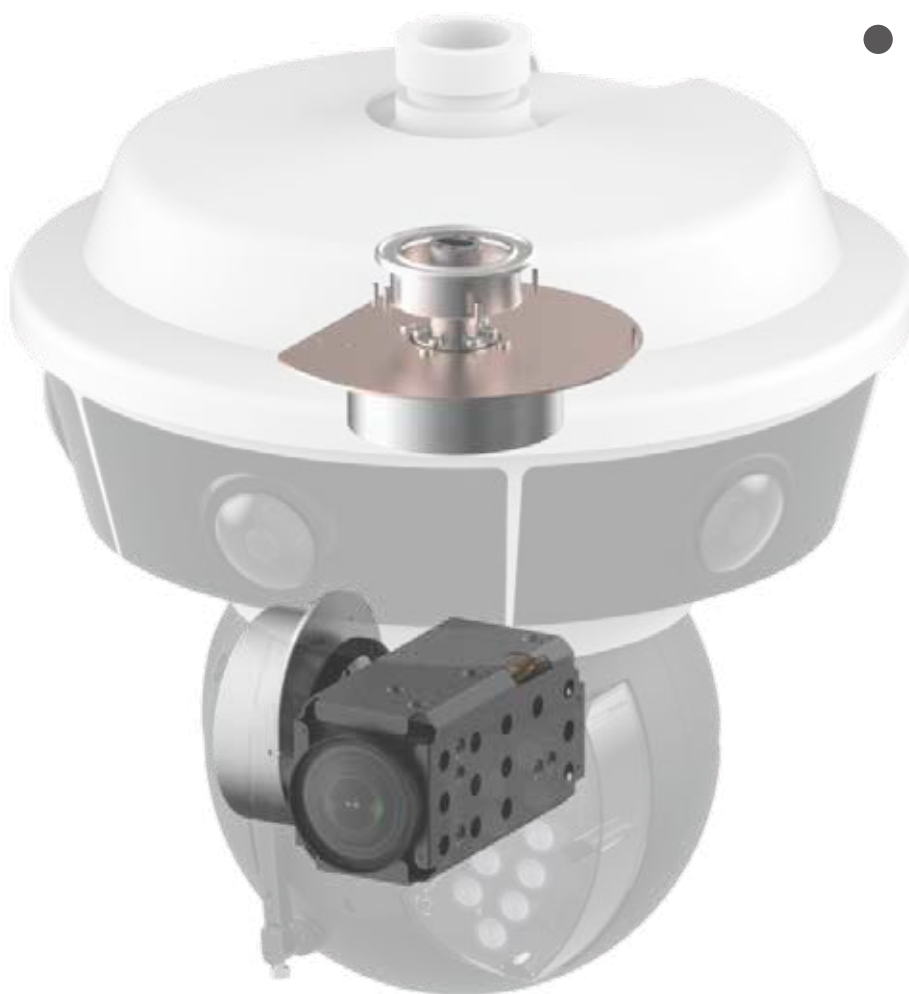
- 400/S HIGH SPIN ROTATE

- NO GEAR  
NO BELT  
NO BACKLASH  
NO NOISE

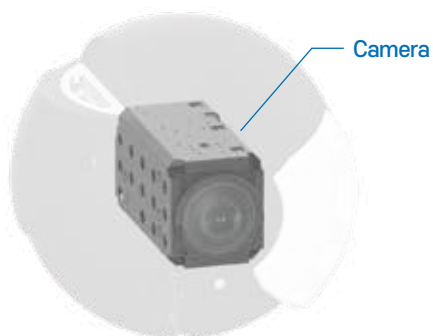
- UP 15°  
DOWN 9°

- 0.2 PRESET ACCURACY

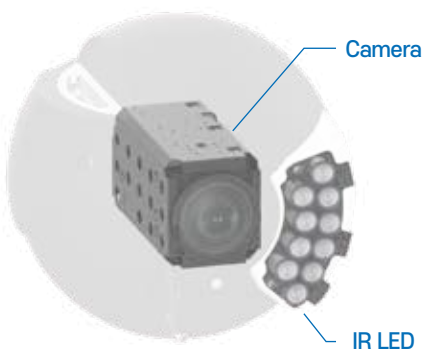
- AUTOMATIC ROTATION



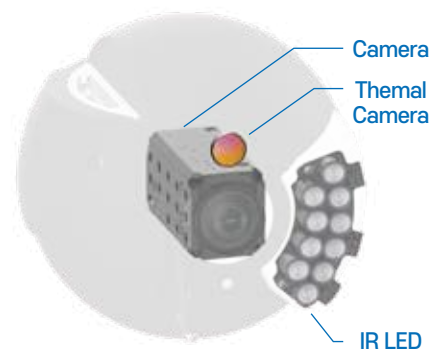
## Various Optical camera combination



x30 x36 x40  
AF 80 ~ 300M  
with IR LED



x36 x40  
AF 600M  
with 50M



x33 AF 80  
250M VGA the  
with 500

# KSD-8000

ASP Direct Drive PTZ IR Speed Dome Camera



· STRONG DURABILITY IP66, IK10

· BUILT-IN 4 FIXED CAMERAS TO REALIZE 360-DEGREE SURROUND VIDEO

· PATENT REGISTRATION : 10-2215806

· 360-DEGREE STEREOSCOPIC MOTION DETECTION PTZ AUTOMATIC TRACKING

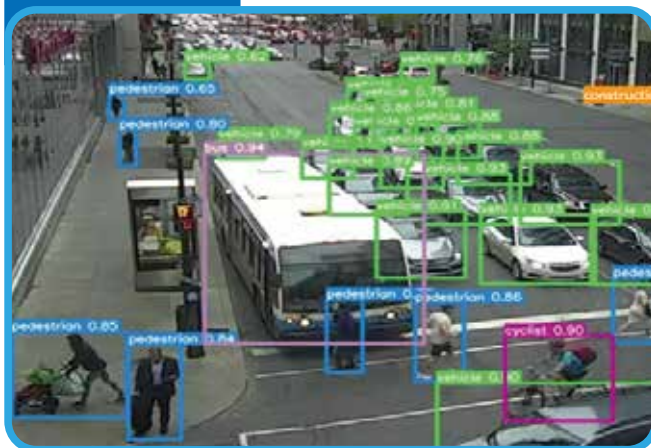


## Application

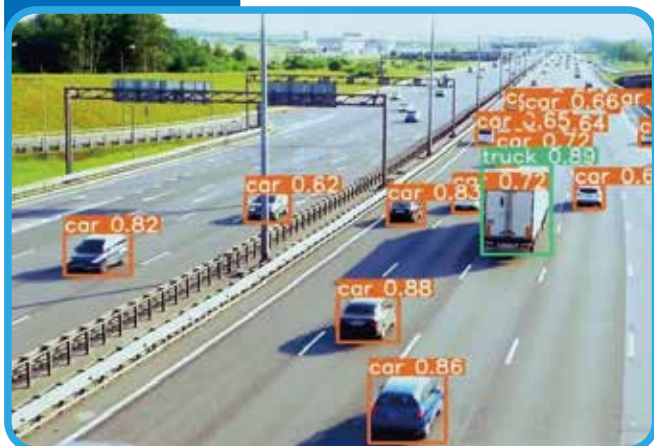
Board



Smart City



Highway



Mountain

